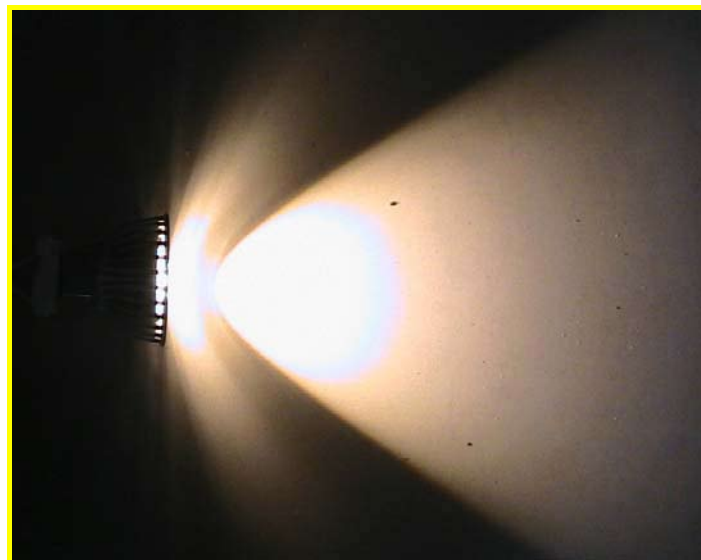




MR16 LED Light Specifications



P/N: DMXP-MR16-5XW-70B



DMX Technologies



DMX MR16 LED Lights – High Power LED 5W

5W MR16 LED LIGHT SPECIFICATION **Unique LEDs Inside**

MECHANICAL SPECS

Housing	Aluminum; PC
Base type	GX5.3 Compatible base
Outer Dimension	φ 49mm × 38mm
Housing Color	Silver
Weight	46gs

ELECTRICAL SPECS

Power Requirement	12V AC(20K~100KHz) Electrical AC Power
Power Consumption	Maximum 5W
Transformer spec	Low-Voltage Magnetic or Electronic to provide 12V AC

ENVIRONMENTAL SPECS

Operating Temperature	-20 ~ 40°C
Storage Temperature	-40 ~ 80°C
Humidity	0~90% non condensed
Body Temperature¹	70°C
MTBF²	> 20,000hr

OPTICAL SPECS

Beam Angle	Flood Light 70±3°
Color Temperature And P/N	Warm White (3000K) ->P/N: DMXP-MR16-5WW-70B Cold White (6500K) ->P/N: DMXP-MR16-5SW-70B
CRI	> 75

¹ Traditional MR16 surface temperature is higher than 130°C.

² MTBF (Mean Time Between Failure) will effect by transformer.

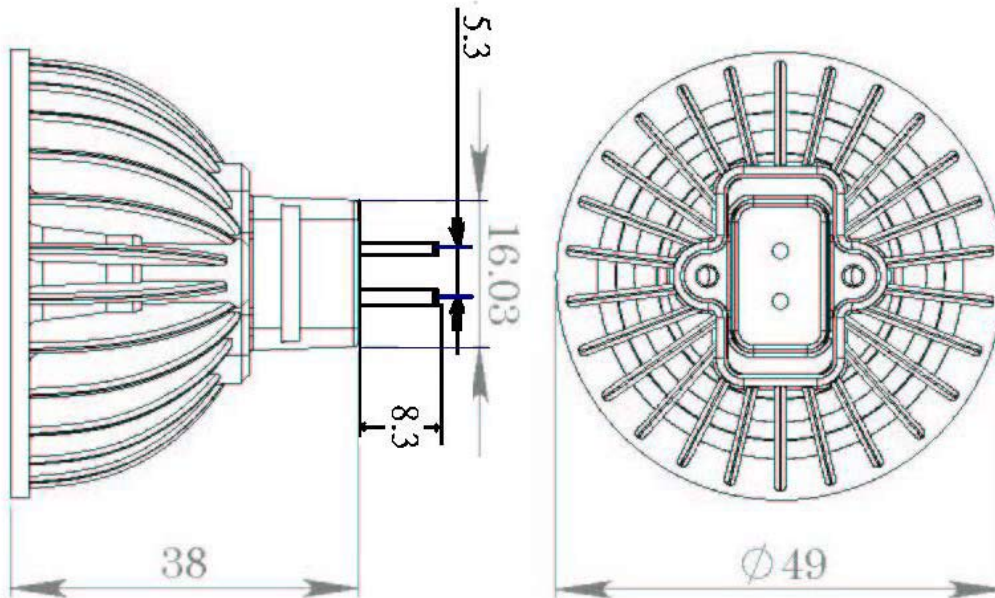
DMX LED Lights (DMX Technologies)

Address: Humberto Lobo 520-N06, Col del Valle Sañ Pedro Garza Garcia, 66220 Nuevo Leon, Mexico
Tel: +52 (81) 8356 6850 Tel: +52 (55) 5662 2600 Fax: +52 (55) 5662 2601
Site: www.dmxledlights.com Email: info@dmxledlights.com



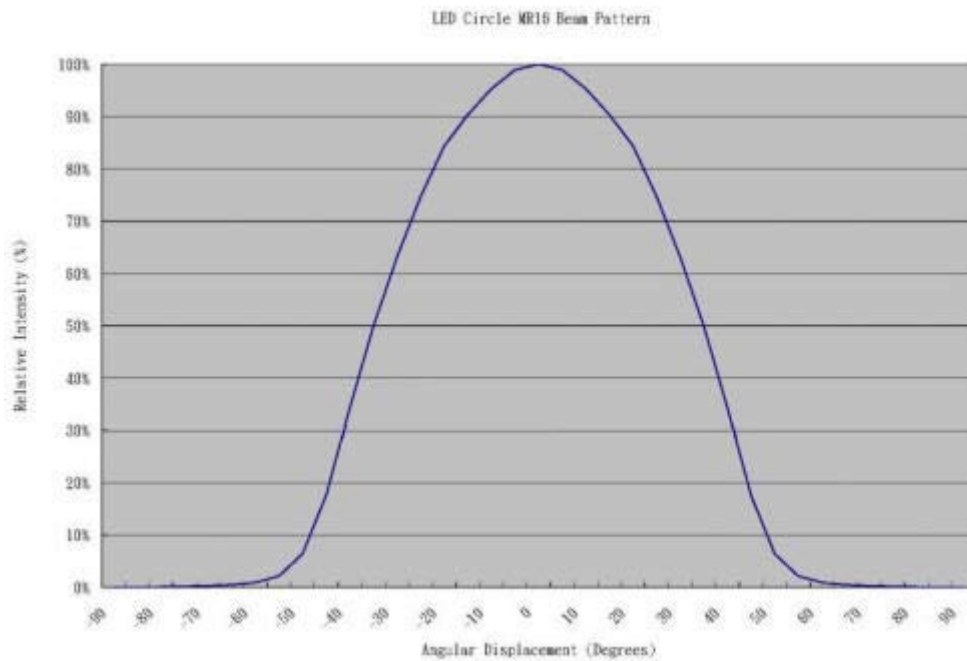
DMX MR16 LED Lights – High Power LED 5W

DIMENSIONS



OPTICAL PERFORMANCE

- (1) Beam Angle: 70°
- (2) Luminous Flux (LED): Type: 150lm (3000K Warm White), Type: 180lm (6500K Sun White)



DMX LED Lights (DMX Technologies)

Address: Humberto Lobo 520-N06, Col del Valle San Pedro Garza Garcia, 66220 Nuevo Leon, Mexico
Tel: +52 (81) 8356 6850 Tel: +52 (55) 5662 2600 Fax: +52 (55) 5662 2601
Site: www.dmxledlights.com Email: info@dmxledlights.com



DMX MR16 LED Lights – High Power LED 5W

OUTLINE



APPLICATIONS



DMX LED Lights (DMX Technologies)

Address: Humberto Lobo 520-N06, Col del Valle San Pedro Garza Garcia, 66220 Nuevo Leon, Mexico
Tel: +52 (81) 8356 6850 Tel: +52 (55) 5662 2600 Fax: +52 (55) 5662 2601
Site: www.dmxledlights.com Email: info@dmxledlights.com