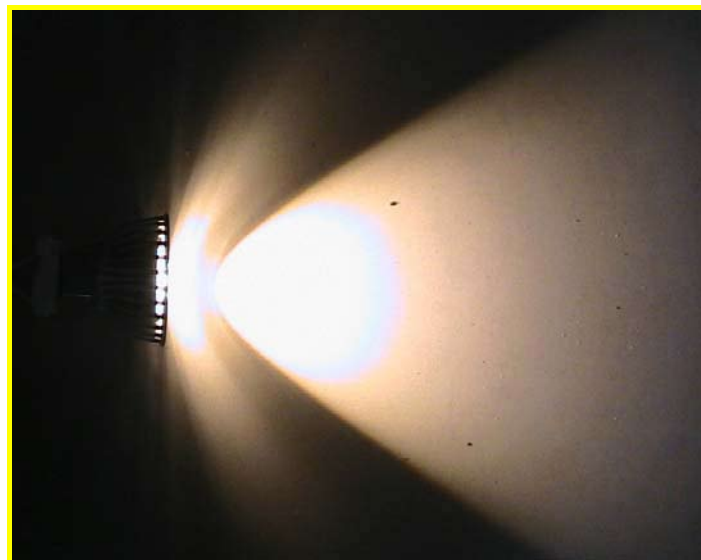




MR16 LED Light Specifications



P/N: DMXP-MR16-6XXW-45S



DMX Technologies



DMX MR16 LED Lights – High Power LED 6W

6W MR16 LED LIGHT SPECIFICATION **Unique LEDs Inside**

MECHANICAL SPECS

Housing	Aluminum; PC
Base type	GX5.3 Compatible base
Outer Dimension	φ 49mm × 38mm
Housing Color	Silver
Weight	46gs

ELECTRICAL SPECS

Power Requirement	12V AC(20K~100KHz) Electrical AC Power
Power Consumption	Typical: 6W; Maximum 6.6W
Transformer spec	Low-Voltage Magnetic or Electronic to provide 12V AC

ENVIRONMENTAL SPECS

Operating Temperature	-20 ~ 40°C
Storage Temperature	-40 ~ 80°C
Humidity	0~90% non condensed
Body Temperature ¹	85°C
MTBF ²	> 40,000hr

OPTICAL SPECS

Beam Angle	Flood Light 45±3°
Color Temperature	Warm White (2800K) ->P/N: DMXP-MR16-6WW-45S
And P/N	Cold White (5000K) ->P/N: DMXP-MR16-6CW-45S
	Sun White (6500K, High Colour Rendering)
	->P/N: DMXP-MR16-6HSW-45S
CRI	> 75 (DMXP-MR16-6CW-45S); (LCP-MR16-6WW-45S) Max: 95 (DMXP-MR16-6HSW-45S)

¹ Traditional MR16 surface temperature is higher than 130°C.

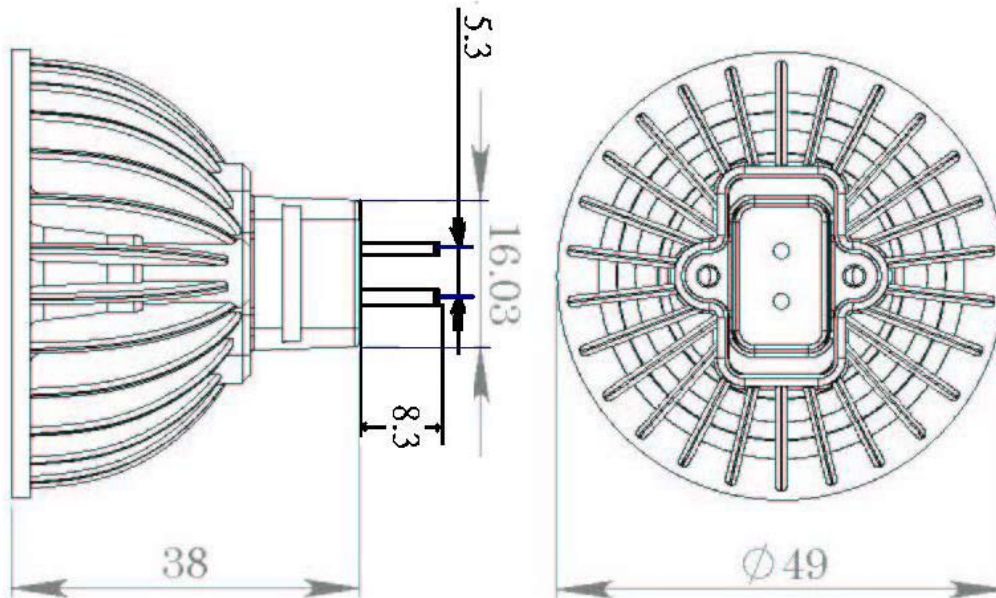
² MTBF (Mean Time Between Failure) will effect by transformer.

DMX LED Lights (DMX Technologies)



DMX MR16 LED Lights – High Power LED 6W

DIMENSIONS



OPTICAL PERFORMANCE

- (1) Beam Angle: 45°
- (2) Luminous Flux (LED) : Typ: 310lm; Max: 340lm (2800K Warm White and 6500K, High Colour Rendering Sun White), Typ: 450lm; Max: 500lm (5000K Cold White)



DMX LED Lights (DMX Technologies)

Address: Humberto Lobo 520-N06, Col del Valle San Pedro Garza Garcia, 66220 Nuevo Leon, Mexico
Tel: +52 (81) 8356 6850 Tel: +52 (55) 5662 2600 Fax: +52 (55) 5662 2601
Site: www.dmxledlights.com Email: info@dmxledlights.com



DMX MR16 LED Lights – High Power LED 6W

OUTLINE



APPLICATIONS



DMX LED Lights (DMX Technologies)

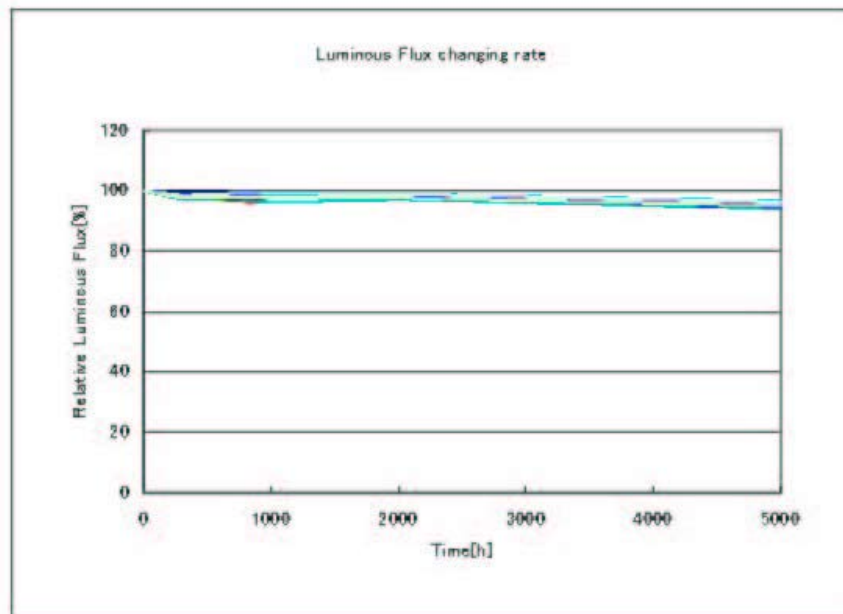
Address: Humberto Lobo 520-N06, Col del Valle San Pedro Garza Garcia, 66220 Nuevo Leon, Mexico
Tel: +52 (81) 8356 6850 Tel: +52 (55) 5662 2600 Fax: +52 (55) 5662 2601
Site: www.dmxledlights.com Email: info@dmxledlights.com



DMX MR16 LED Lights – High Power LED 6W

LIFE CYCLE TEST RESULT

Luminous Flux



Important: Please contact our engineer to ensure installation and maintenance being properly executed to obtain maximum performance, efficiency and durability from the LED lighting product.

Disclaimer: While every care has been taken with the details on this specification sheet, we accept no responsibility for any inaccuracies and reserve the right to change these specifications without notice to always ensure that you are receiving a superior product.

DMX LED Lights (DMX Technologies)

Address: Humberto Lobo 520-N06, Col del Valle San Pedro Garza Garcia, 66220 Nuevo Leon, Mexico
Tel: +52 (81) 8356 6850 Tel: +52 (55) 5662 2600 Fax: +52 (55) 5662 2601
Site: www.dmxledlights.com Email: info@dmxledlights.com